

For reference only. See data sheet for the detailed specifications.

Technical Specification



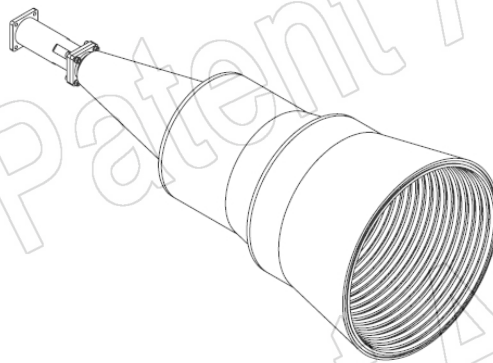
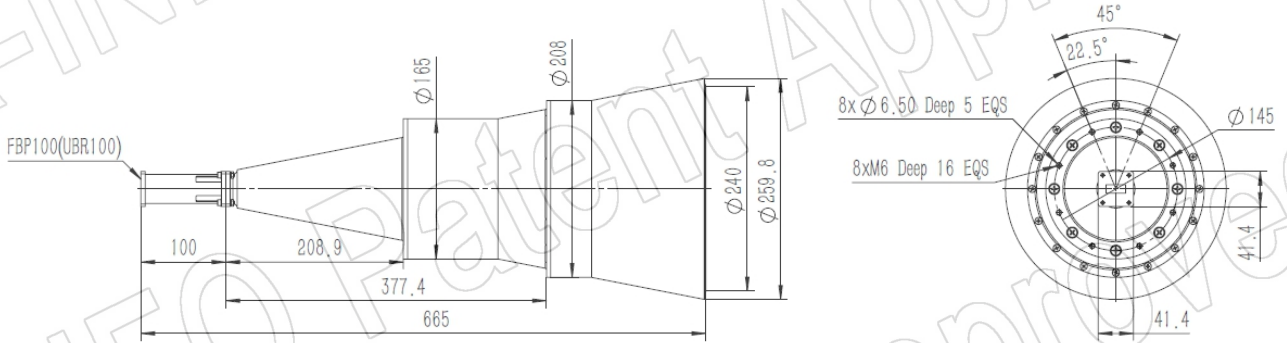
Frequency Range(GHz)	8.2 – 12.4
Waveguide	WR90
Gain(dBi)	25 Typ.
Polarization	Linear
3dB Beamwidth(deg)	E Plane: 10 Typ.
	H Plane: 10 Typ.
Cross Pol. Isolation	45 Typ. ; 35 Min.
VSWR	A Type: 1.30:1 Typ.
	C Type: 1.50:1 Typ.
Output	A Type: FBP100(UBR100)
	SMA-Female or N-Female or TNC-Female or 7mm or 3.5mm-Female
Material	Al
Finish	Chemical Conversion Coating, Gray Paint
Size(mm)	A Type: 259.8 x 259.8 x 665
	C Type: 259.8 x 259.8 x 703
Weight(Kg)	A Type: 6.15 Around
	C Type: 6.20 Around

PATENT ID (China)

ZL201630458537.2

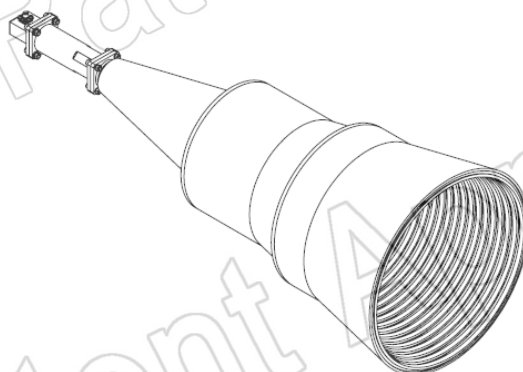
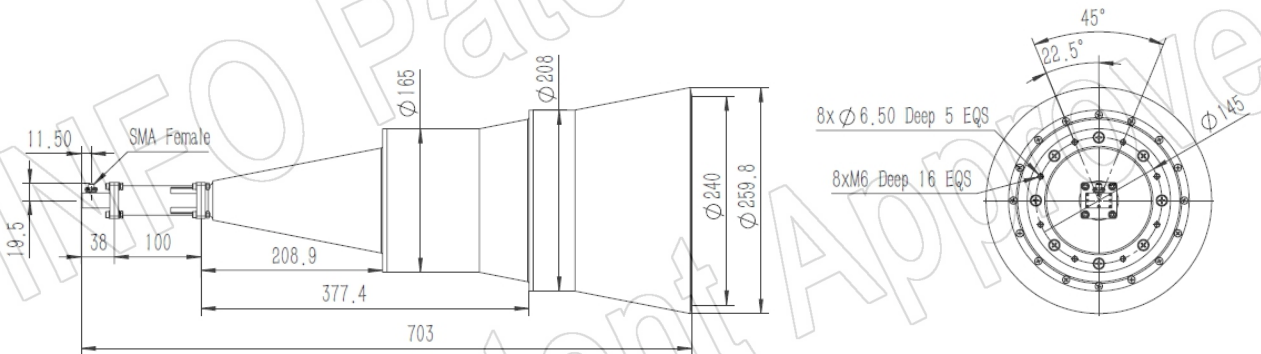
Outline Drawing (Size: mm)

FBP100 Output (P/N: LB-CH-90-25-A)

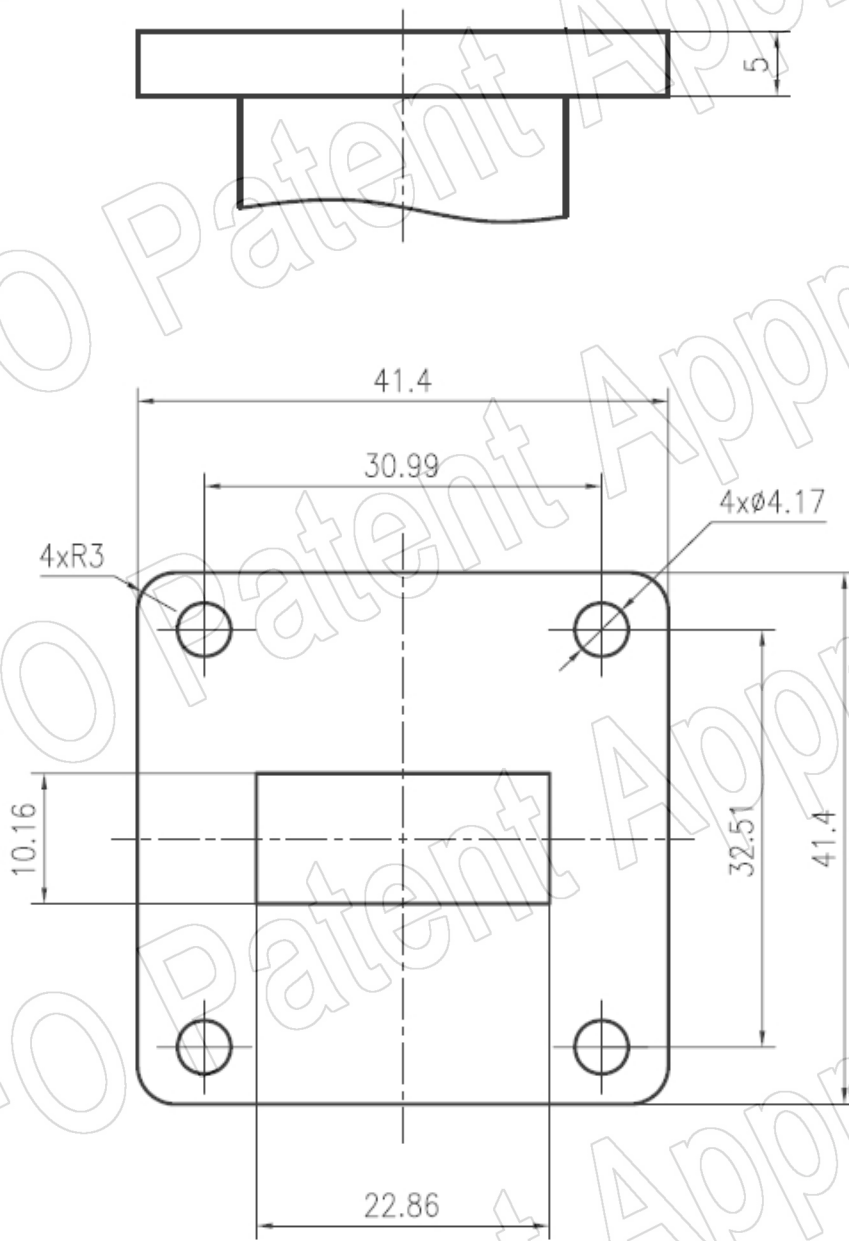


SMA-Female Output (P/N: LB-CH-90-25-C-SF)

For N-Female, TNC-Female, 7mm or 3.5mm-Female output outline drawing, please contact A-INFO.



Flange Drawing (Size: mm)



FBP100

AINFO Inc.

China(Beijing):
China(Chengdu):
USA :

Tel: (+86) 10-6266-7326,
Tel: (+86) 28-8519-2786,
Tel: (+1) 949-639-9688,

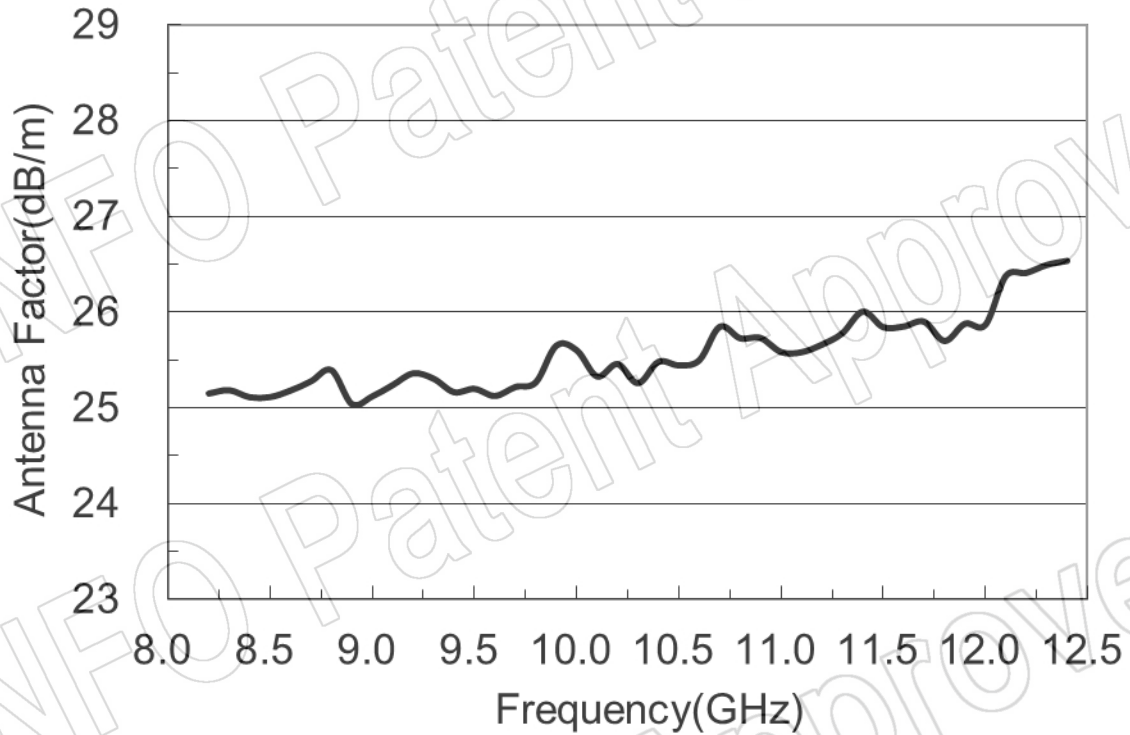
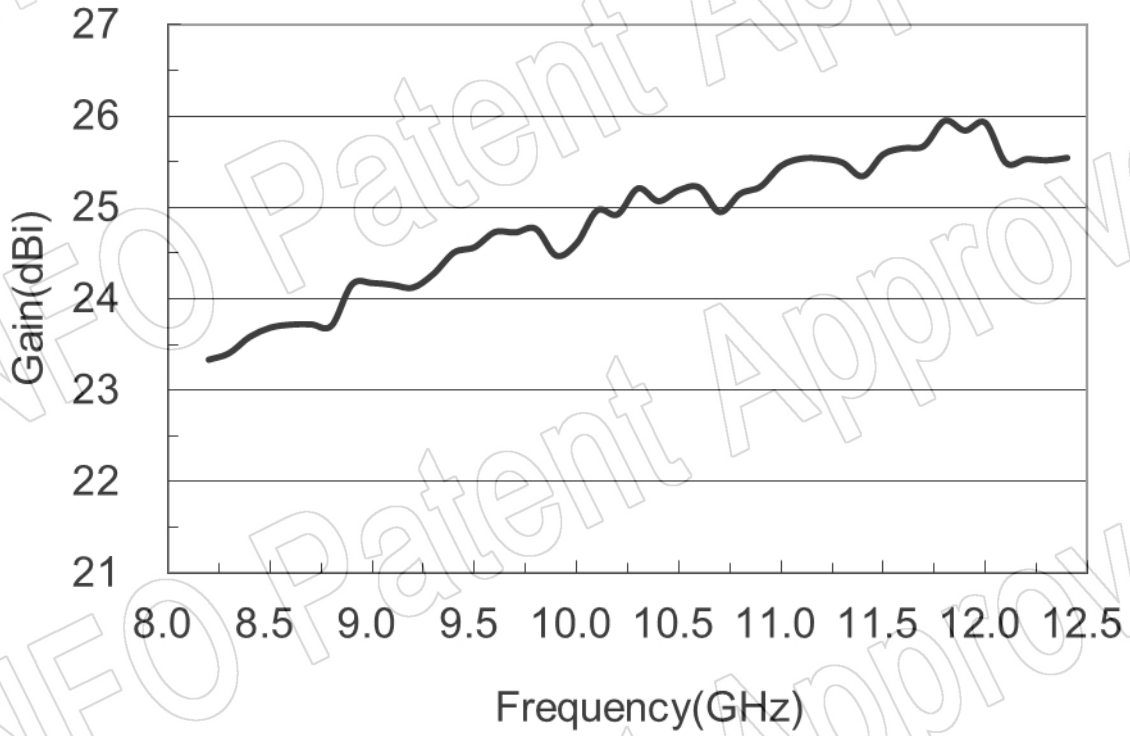
(+86) 10-6266-7327
(+86) 28-8519-3044
(+1) 949-639-9608

Fax: (+86) 10-6266-7379
Fax: (+86) 28-8519-3068
Fax: (+1) 949-639-9670

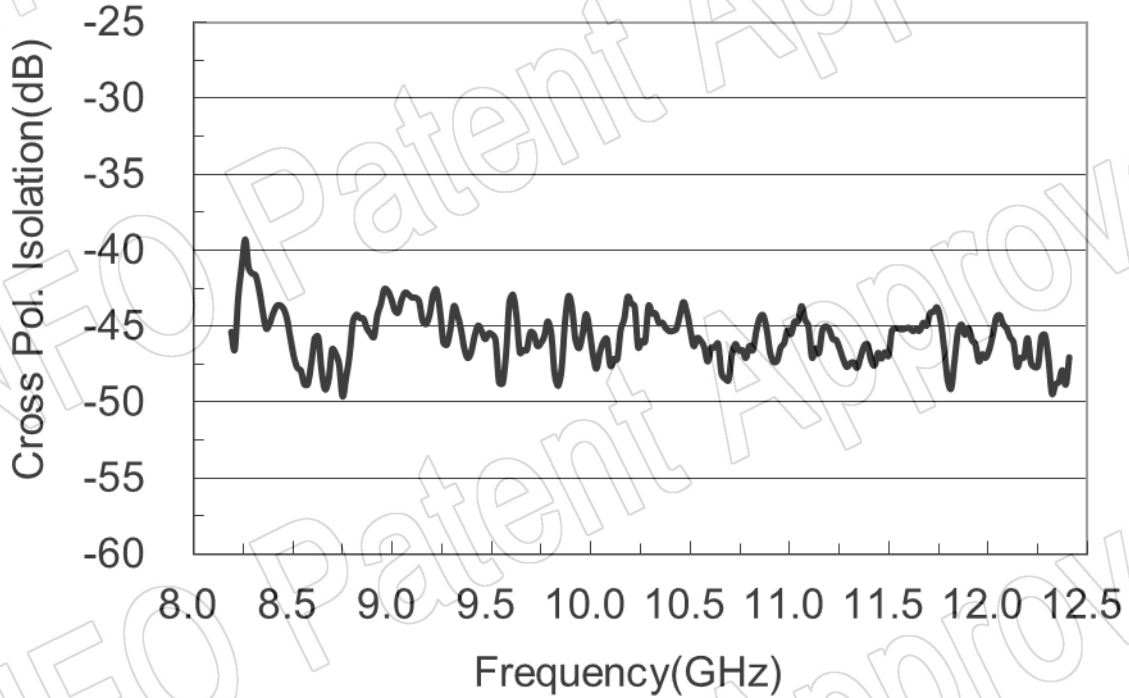
Website: www.ainfoinc.com
Email: sales@ainfoinc.com

Test Results

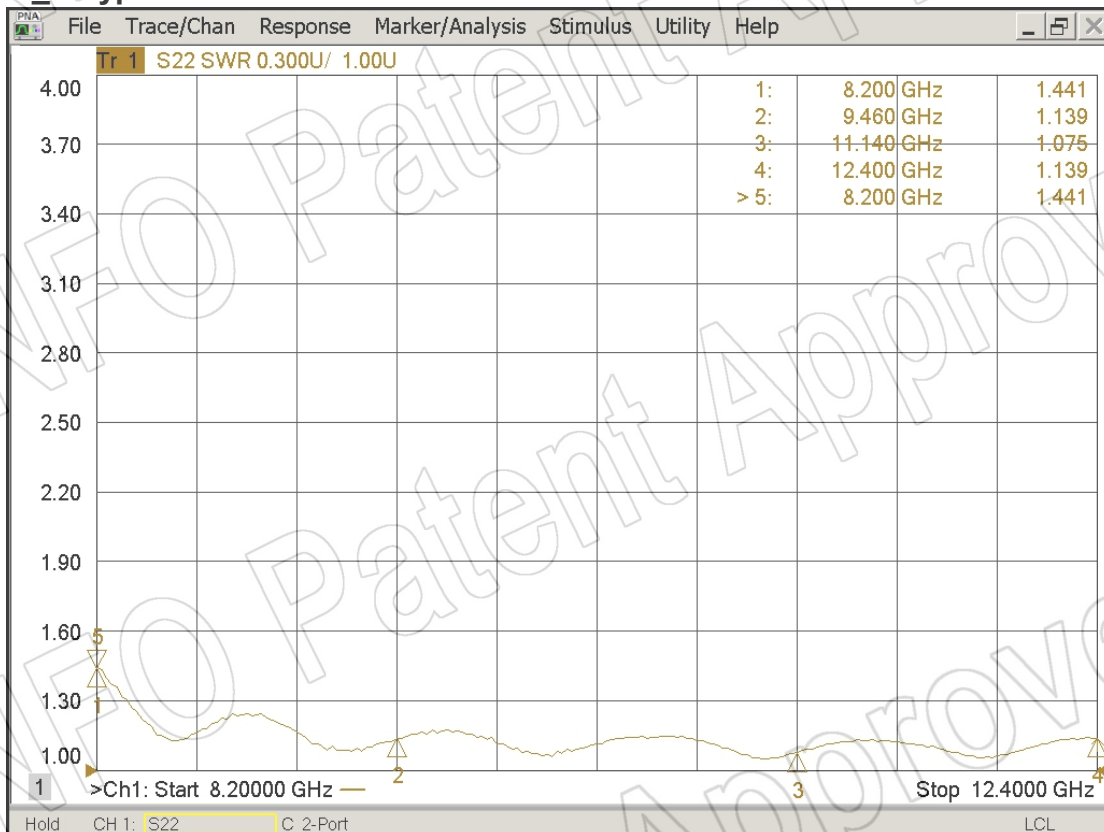
1. Gain & Antenna Factor



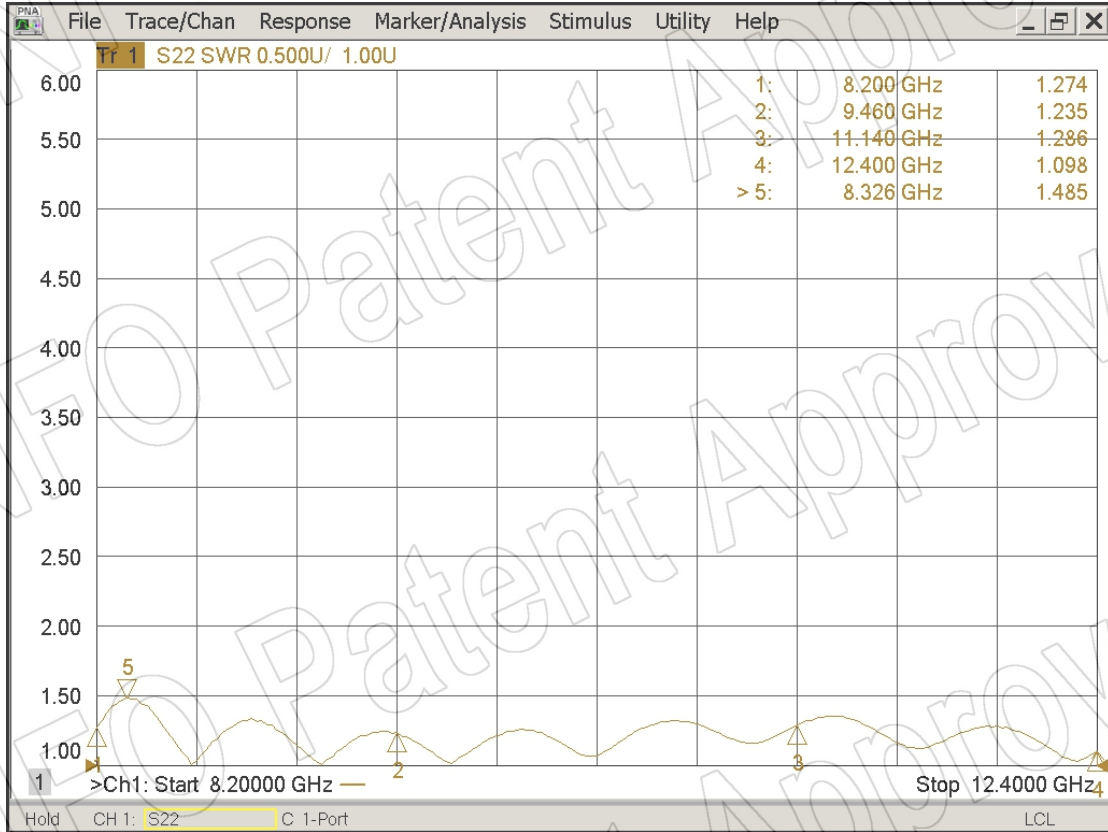
2. Cross Polarization Isolation



3. VSWR_A Type



VSWR_C Type



4. Pattern

